

Silicon NPN Power Transistors

2SC2660 2SC2660A

DESCRIPTION

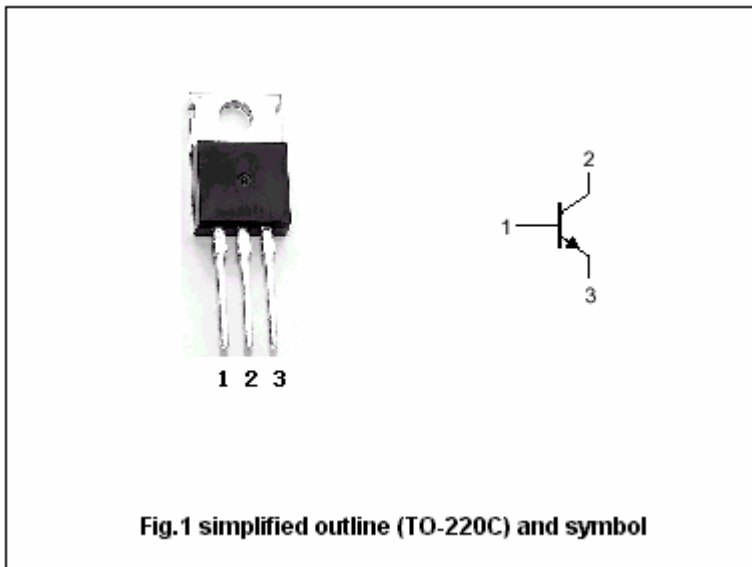
- With TO-220 package
- Complement to type 2SA1133/1133A
- High V_{CEO}
- Large P_C

APPLICATIONS

- Power amplifier applications
- TV vertical deflection applications

PINNING

PIN	DESCRIPTION
1	Base
2	Collector;connected to mounting base
3	Emitter



Absolute maximum ratings (Ta=25°C)

SYMBOL	PARAMETER	CONDITIONS	VALUE	UNIT
V_{CBO}	Collector-base voltage	Open emitter	200	V
V_{CEO}	Collector-emitter voltage	2SC2660	150	V
		2SC2660A	180	
V_{EBO}	Emitter-base voltage	Open collector	6	V
I_C	Collector current		2	A
I_{CM}	Collector current-peak		3	A
P_C	Collector power dissipation	$T_C=25^\circ C$	30	W
T_j	Junction temperature		150	°C
T_{stg}	Storage temperature		-55~150	°C

Silicon NPN Power Transistors

2SC2660 2SC2660A

CHARACTERISTICS

T_j=25 °C unless otherwise specified

SYMBOL	PARAMETER	CONDITIONS	MIN	TYP.	MAX	UNIT
V _{CEsat}	Collector-emitter saturation voltage	I _C =0.5A ; I _B =50m A			1.0	V
V _{BE}	Base-emitter on voltage	I _C =0.4A ; V _{CE} =10V			1.0	V
V _{(BR)CEO}	Collector-emitter breakdown voltage	I _C =5mA ; I _B =0	150			V
			180			
V _{(BR)CBO}	Collector-base breakdown voltage	I _C =0.5mA ; I _E =0	200			V
V _{(BR)EBO}	Emitter-base breakdown voltage	I _E =0.5mA ; I _C =0	6			V
I _{CBO}	Collector cut-off current	V _{CB} =200V ; I _E =0			50	μA
I _{EBO}	Emitter cut-off current	V _{EB} =4V ; I _C =0			50	μA
h _{FE-1}	DC current gain	I _C =0.15A ; V _{CE} =10V	60		240	
h _{FE-2}	DC current gain	I _C =0.4A ; V _{CE} =10V	50			

◆ h_{FE-1} classifications

Q	P
60-140	100-240

Silicon NPN Power Transistors

2SC2660 2SC2660A

PACKAGE OUTLINE

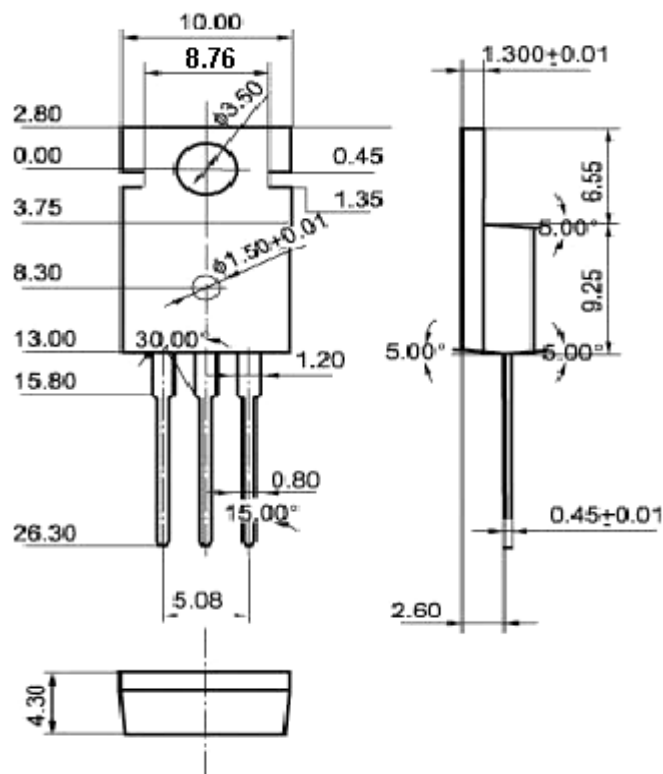


Fig.2 outline dimensions (unindicated tolerance: ± 0.10 mm)