

**Silicon PNP Darlington Power Transistors**

**2SB1587**

**DESCRIPTION**

- With TO-3PML package
- Complement to type 2SD2438

**APPLICATIONS**

- Audio, Series Regulator and General Purpose

**PINNING**

PIN	DESCRIPTION
1	Base
2	Collector
3	Emitter

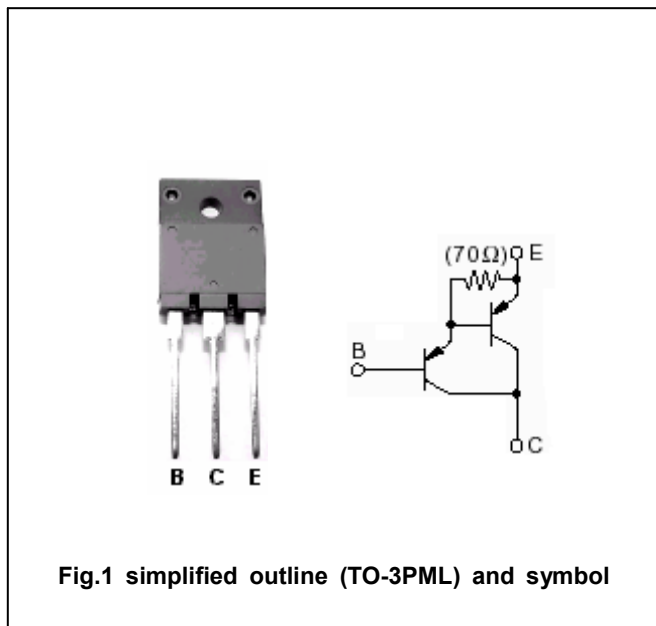


Fig.1 simplified outline (TO-3PML) and symbol

**Absolute maximum ratings(Tc=25°C)**

SYMBOL	PARAMETER	CONDITIONS	VALUE	UNIT
V <sub>CBO</sub>	Collector-base voltage	Open emitter	-160	V
V <sub>CEO</sub>	Collector-emitter voltage	Open base	-150	V
V <sub>EBO</sub>	Emitter-base voltage	Open collector	-5	V
I <sub>C</sub>	Collector current		-8	A
I <sub>B</sub>	Base current		-1	A
P <sub>C</sub>	Collector power dissipation	T <sub>C</sub> =25°C	75	W
T <sub>j</sub>	Junction temperature		150	°C
T <sub>stg</sub>	Storage temperature		-55~150	°C

## Silicon PNP Darlington Power Transistors

## 2SB1587

## CHARACTERISTICS

T<sub>j</sub>=25°C unless otherwise specified

SYMBOL	PARAMETER	CONDITIONS	MIN	TYP.	MAX	UNIT
V <sub>(BR)CEO</sub>	Collector-emitter breakdown voltage	I <sub>C</sub> =-30mA; I <sub>B</sub> =0	-150			V
V <sub>CEsat</sub>	Collector-emitter saturation voltage	I <sub>C</sub> =-6 A; I <sub>B</sub> =-6m A			-2.5	V
V <sub>BEsat</sub>	Base-emitter saturation voltage	I <sub>C</sub> =-6 A; I <sub>B</sub> =-6m A			-3.0	V
I <sub>CBO</sub>	Collector cut-off current	V <sub>CB</sub> =-160V; I <sub>E</sub> =0			-100	μA
I <sub>EBO</sub>	Emitter cut-off current	V <sub>EB</sub> =-5V; I <sub>C</sub> =0			-100	μA
h <sub>FE</sub>	DC current gain	I <sub>C</sub> =-6A ; V <sub>CE</sub> =-4V	5000			
f <sub>T</sub>	Transition frequency	I <sub>C</sub> =-1A ; V <sub>CE</sub> =-12V		65		MHz
C <sub>OB</sub>	Output capacitance	I <sub>E</sub> =0; V <sub>CB</sub> =-10V; f=1MHz		160		pF

## Switching times

t <sub>on</sub>	Turn-on time	I <sub>C</sub> =-6A; R <sub>L</sub> =10Ω I <sub>B1</sub> =-I <sub>B2</sub> =-6mA V <sub>CC</sub> =-60V		0.7		μs
t <sub>s</sub>	Storage time			3.6		μs
t <sub>f</sub>	Fall time			0.9		μs

◆ h<sub>FE</sub> classifications

O	P	Y
5000-12000	6500-20000	15000-30000

Silicon PNP Darlington Power Transistors

2SB1587

PACKAGE OUTLINE



Fig.2 Outline dimensions